

AURORALIGHT

PROJECT: _____

SKU #: _____

TYPE: _____

CABRILLO

IGR080102

The Cabrillo is a small and compact 3-watt in-grade uplight that can be used both indoors and outdoors. It is rated for wet locations and has a fixed aim that is recessed.

- Thermally Integrated® w/ Copper Core Technology®
- Interchangeable PMMA acrylic optics from 15° to 40°
- IC Rated for Interior, Exterior and Wet Location Use
- Ideal for walkways, pathways and architecture



CONFIGURATOR:

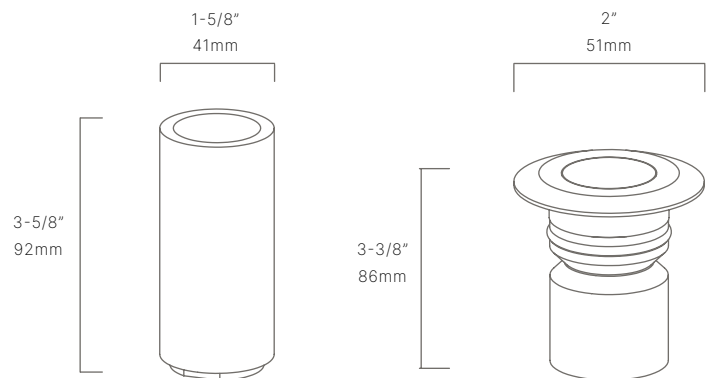
IGR080102	LED	FINISH
	<input type="text"/>	<input type="text"/>
() = Most common configuration	(2703) 2700K 3W (3003) 3000K 3W	(NAT) Natural Brass (BLP) Bronze Living Patina (BLPX) Extra Dark BLP (NI) Nickel PVD

AVAILABLE FINISHES:



FIXTURE DIMENSIONS	D2" x H3-3/8"
LIGHT SOURCE	Integrated LED
COLOR TEMPERATURES	2700K, 3000K
WATTAGES	3W
CRI (RA)	80 CRI
VOLTAGE	12V
DELIVERED LUMENS	150lm (3000K)
DIMMABLE	Yes, Dim to <10% via Transformer
DRIVER	Yes, 12V Integral Constant Current
TRANSFORMER	12V AC/DC (Supplied by others)
MOUNT	Included PJB782305
ACCESSORIES	Yes, Included Hex Baffle
OPTICS	Yes, Included 15°, 25° & 40°
FINISH	Included Natural Brass
MATERIAL	Brass
WIRE LENGTH	24"
LOCATION	Interior & Exterior Wet
CERTIFICATIONS	UL, IP66, IP67, IC, Drive Over

*For complete warranty terms, please visit: www.auroralight.com/warranty/



P. 760.931.2910

O. 2742 Loker Ave. W Carlsbad CA 92010

W. www.auroralight.com

MADE IN USA
WITH DOMESTIC & IMPORTED MATERIALS



AURORALIGHT

PROJECT: _____

SKU #: _____

TYPE: _____

ADD-ONS

MOUNTS

SCE008

Side Conduit Entry

*For complete details, please visit auroralight.com/mounts/

MOUNTS



SCE008

P. 760.931.2910

O. 2742 Loker Ave. W Carlsbad CA 92010

W. www.auroralight.com

MADE IN USA
WITH DOMESTIC & IMPORTED MATERIALS

